

ALANDALOSIA

FOR AIR OUTLET



CATALOGUE **NO21**

SMOKE DAMPER



Air Outlet

Andalosal

OUR PRODUCTS

SELECTION GUIDE

- 1- SQUARE CEILING DIFFUSER
- 2- ROUND CEILING DIFFUSER
- 3- SWIRL DIFFUSER
- 4- PERFORATED CEILING DIFFUSER
- 5- LINEAR SLOT DIFFUSER
- 6- LINEAR CEILING DIFFUSER
- 7- LINEAR BAR GRILL
- 8- REGISTER
- 9- FLOOR & PERFORATED FLOOR GRILL
- 10- TRANSFER GRILL
- 11- ACCESS PANEL
- 12- LOUVER
- 13- SAND TRAP LOUVER
- 14- JET NOZZLE
- 15- BALL JET NOZZLE
- 16- DRUM JET NOZZLE
- 17- DISC VALVE
- 18- NON RETURN DAMPER (SHUTTER)
- 19- VOLUME DAMPER
- 20- FIRE DAMPER

21 - SMOKE DAMPER

- 22- DUCT ACCESS DOOR

....



Air Outlet

Andalousia

INTERTEK

INTRODUCTION

SMOKE DAMPERS

Smoke Dampers can be used in two different applications, where they simply close and prevent the circulation of air and smoke through duct or a ventilation opening in a smoke barrier.

Or they may be designed to control the spread of smoke using walls and floors as barriers and using the building's HVAC system and or dedicated fans to create pressure differences. Higher pressures surround the fire area and prevent the spread of smoke from the fire zone into other areas of the building. Smoke Dampers are motorized with electric actuator. They may be controlled by a smoke or heat detector signal, a fire alarm signal, or in a variety of ways by the building control system to accomplish the intent of the design.

the smoke damper is a high performance UL 555S Classified with Leakage rating smoke damper, to ensure lowest resistance to airflow in HVAC systems with velocities to 2000 fpm (10.2 m/sec.) and 4" w.g.

(1000Pa) may be installed vertically or horizontally (with blades running horizontally) and is rated for airflow and leakage in either direction.



CONSTRUCTION

FRAME Ga16 (1.5mm) 5"x1"(125x25mm) Frame (Hat shaped) is made of Galvanized sheet steel Corners.

BLADES Gauge 16 [1.5mm] 3 GROOVED type is made of Galvanized Steel. Leakage Rating to , Class- 2, Class- 3 at 250°F.

Smoke Damper Leakage Ratings by Class

LEAKAGE CLASS	MAXIMUM LEAKAGE		MINIMUM DEGRADATION TEMPERATURE	
	(CFM/FT ² at 4" W.G.)	(M ³ /S/M ² at 0.995 kPa)	°F	°C
I	8	0.041	250	121
II	20	0.102	250	121
III	80	0.408	250	121



JAMB SEALS : Stainless steel jamb seals.

TIP SEALS : Silicon rubber blade tip seals.

LINKAGES : Mechanical linkages concealed in Frame.

BUSHES : Fire resistant Brass-Bronze bushes

AXLE : 1/2"x1/2" Galvanized steel,12mm square,

BLADE STOP : 18 gauge (1.2mm) galvanized steel angle

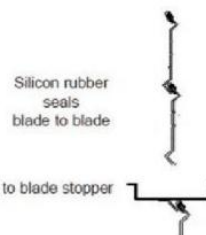
DRIVE SHAFT : 1/2"x1/2" Square shaft

SLEEVES : Sleeves can be site installed, Galvanized steel and different gauges are used according to duct size .

FLANGES : Flange mounting sleeve type as optional .



Frame with Flanges



Silicon rubber seals blade to blade

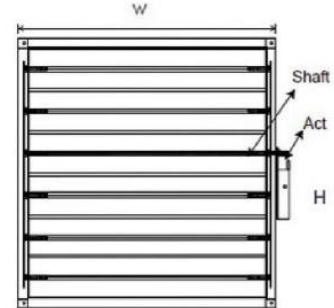
blade to blade stopper



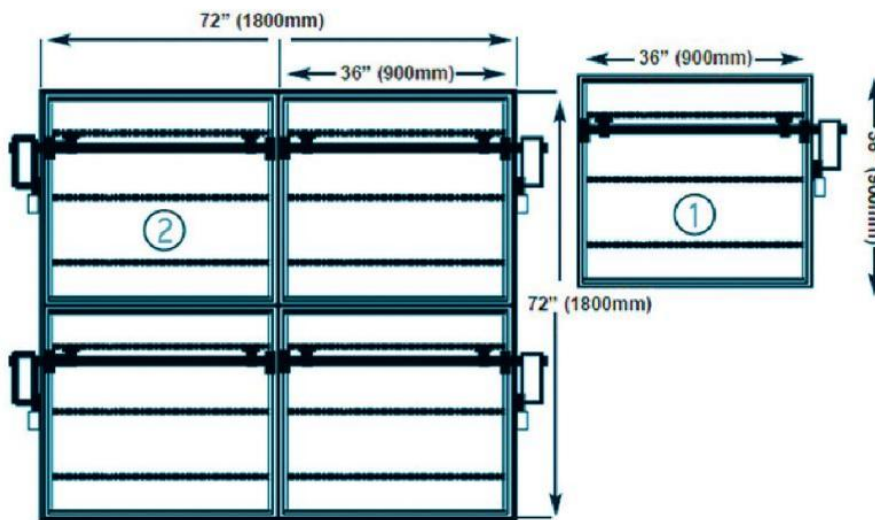
SIZES Any Combination of W x H for single section

Min X Min 9" X 9"

Max X Max 36" X 36"



ABOVE THIS SIZE MULTIPLE SECTION IS USED



ACTUATOR CONNECTIONS

Electric and pneumatic actuators are to be connected in accordance with wiring and piping diagrams developed in compliance with applicable codes, ordinances and regulations. Multiple section or single section dampers utilizing more than one actuator require all actuators to be connected to a single (common) point for simultaneous operation (closure).



INSTALLATION

