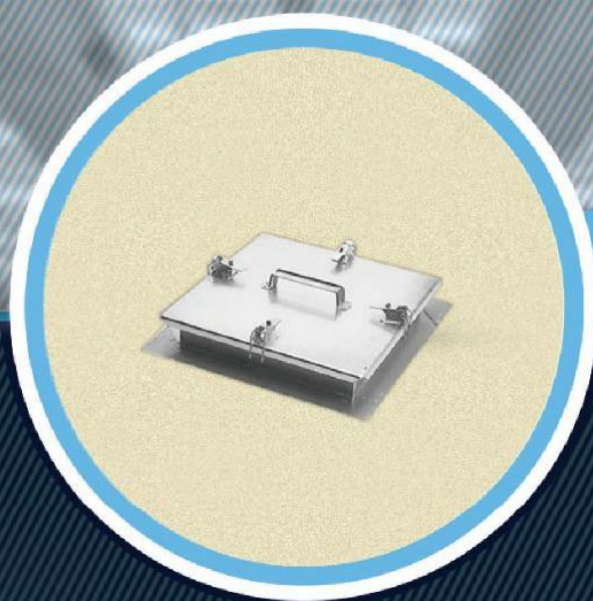


# ALANDALOSIA

FOR AIR OUTLET



CATALOGUE **NO 22**

## DUCT ACCESS **DOOR**

---



Air Outlet

**Andalosalosia**

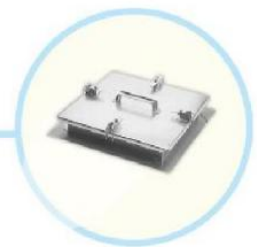
# OUR PRODUCTS

## SELECTION GUIDE

- 1- SQUARE CEILING DIFFUSER
- 2- ROUND CEILING DIFFUSER
- 3- SWIRL DIFFUSER
- 4- PERFORATED CEILING DIFFUSER
- 5- LINEAR SLOT DIFFUSER
- 6- LINEAR CEILING DIFFUSER
- 7- LINEAR BAR GRILL
- 8- REGISTER
- 9- FLOOR & PERFORATED FLOOR GRILL
- 10- TRANSFER GRILL
- 11- ACCESS PANEL
- 12- LOUVER
- 13- SAND TRAP LOUVER
- 14- JET NOZZLE
- 15- BALL JET NOZZLE
- 16- DRUM JET NOZZLE
- 17- DISC VALVE
- 18- NON RETURN DAMPER (SHUTTER)
- 19- VOLUME DAMPER
- 20- FIRE DAMPER
- 21- SMOKE DAMPER

### 22 - DUCT ACCESS DOOR

....



Air Outlet

# Andaloesia

INTERTEK



## INTRODUCTION

### DUCT ACCESS DOOR

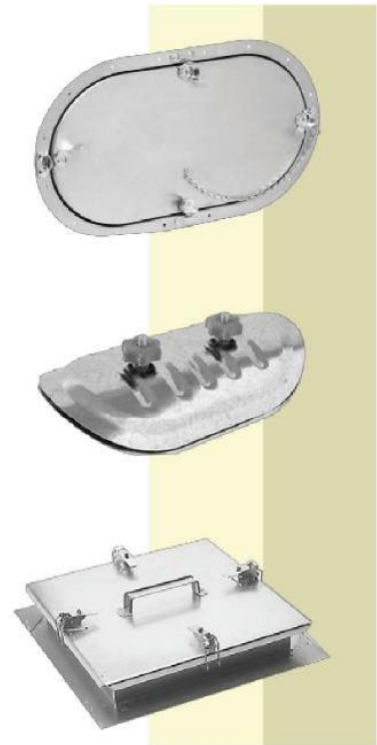
Fire dampers need inspecting and testing, coils need cleaning and controls need adjusting.

So we offer a range of duct and plenum access doors that have been designed to allow easy and convenient access to such equipment within HVAC ductwork, without compromising safety or ventilation, to meet different duct styles and application needs.

**Some models** feature quality double skin construction that meets SMACNA requirements, with quick simple installation and low leakage flat oval series provides premium quality that optimizes access area and ease of installation.

For round duct applications, some models provide easy mounting and positive closure.

All models are available in a wide variety of sizes to suit each specific application.



## SPECIFICATIONS

### MATERIAL

#### DOOR

Ga 24. galvanized steel

#### FRAME

Ga 22. galvanized steel

#### INSULATION

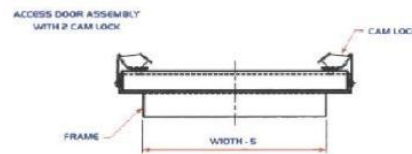
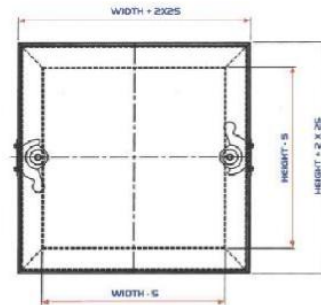
1" fiberglass of 1" thickness and density of 24 kg/m<sup>3</sup>

#### SECURITY CHAIN

A retaining safety chain is fitted to both door and frame, to alleviate damage or injury during routine maintenance or cleaning, as well as negating loss. Maximum square measurement of the access door is 1170×1170 mm.

#### HINGE STEEL

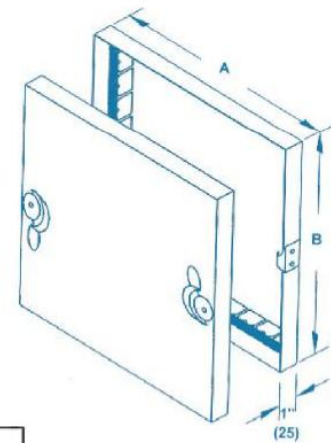
## • TWO HINGED ACCESS DOOR



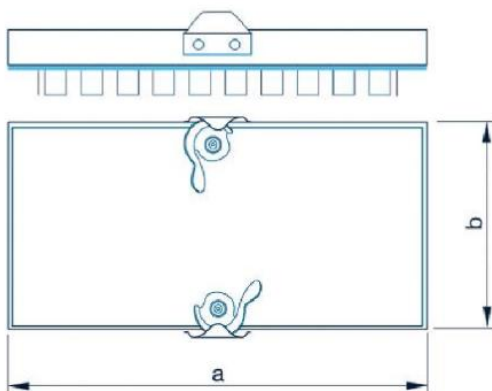
### ■ DESCRIPTION

Access door, which fits on the flat side of a rectangular duct. Consists of a door and a frame. The door has a 25 mm thick high density insulation. The frame is attached to the ductwall by means of fixing tabs.

Both door and frame are supplied with a rubber gasket.



### ■ DIMENSIONS



a mm	b mm
300	150
400	300
500	500



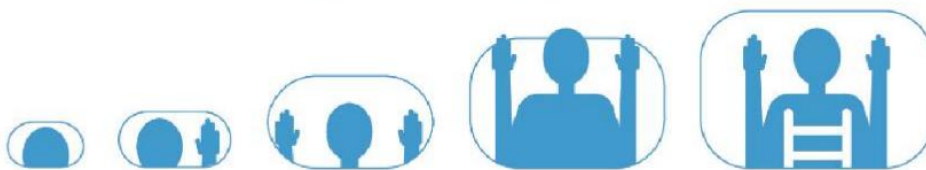
• **FOUR HINGED ACCESS DOOR**



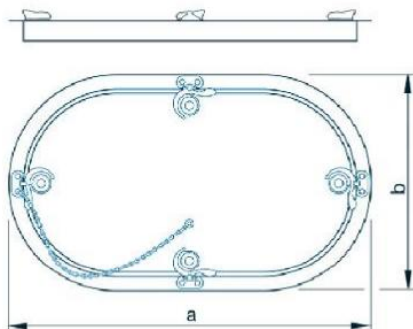
▪ **DESCRIPTION**

Access door, which fits on the flat side of a rectangular duct. Consists of a door and a frame. The door has a 20 mm thick high density insulation. The frame is attached to the duct wall by means of screws. A gasket as well as a retaining chain is fitted between door and frame.

Use the following guide to select appropriate access door size

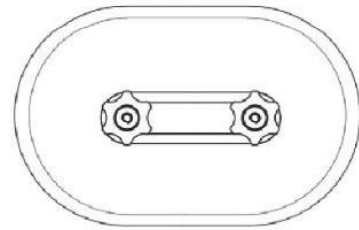


▪ **DIMENSIONS**



a mm	b mm
300	150
460	250
560	360
635	430

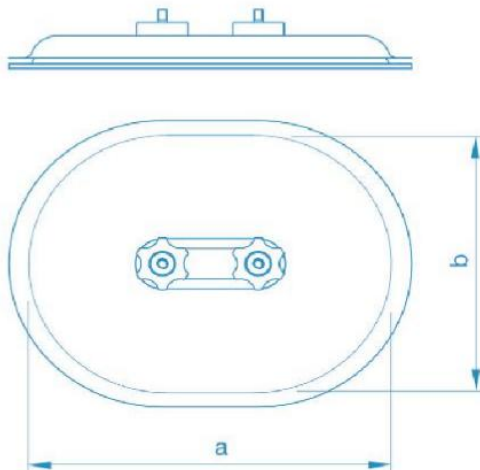
## • FLAT ACCESS DOOR



### ■ DESCRIPTION

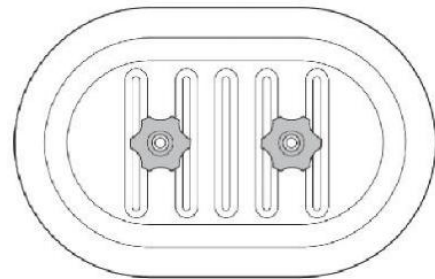
Access door, which fits on the flat side of a rectangular duct.  
A neoprene cellular gasket seals on the duct's inside.  
Supplied with a self adhesive template which guides when cutting the rectangular aperture.

### ■ DIMENSIONS



a* mm	b* mm
180	80
200	100
250	150
300	200
400	300
500	400
600	450

## • CURVED ACCESS DOOR



### ■ DESCRIPTION

#### Access door

which fits on the curved side of a circular duct.  
A neoprene cellular gasket seals on the duct's inside.  
Supplied with a self adhesive template which guides when cutting the oval aperture.  
Ø 100–800 is available in stainless steel by request.

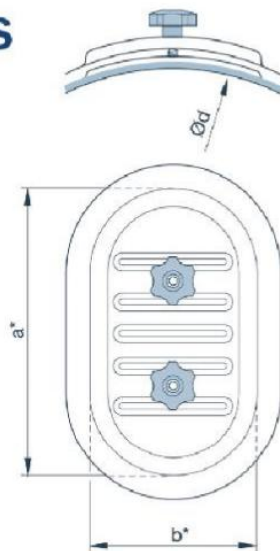
### ■ SPECIFICATIONS

Door Panels Corrosion resistant galvanised mild steel.

### ■ ALTERNATIVE MATERIALS

Door panels are available in aluminium and stainless steel to special order.

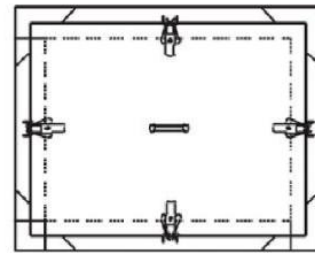
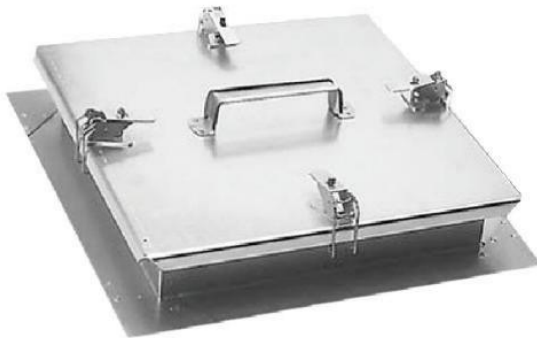
### ■ DIMENSIONS



Ød nom	a* mm	b* mm
80	180	80
100–125	180	80
150–160	250	150
180	250	150
200	250	150
250	250	150
300–315	250	150
355	250	150
400	400	300
450	400	300
500	400	300
560	400	300
630	400	300
710	400	300
800	400	300
900	400	300
1000	500	400
1120	500	400
1250	500	400



## • INSPECTION ACCESS DOOR



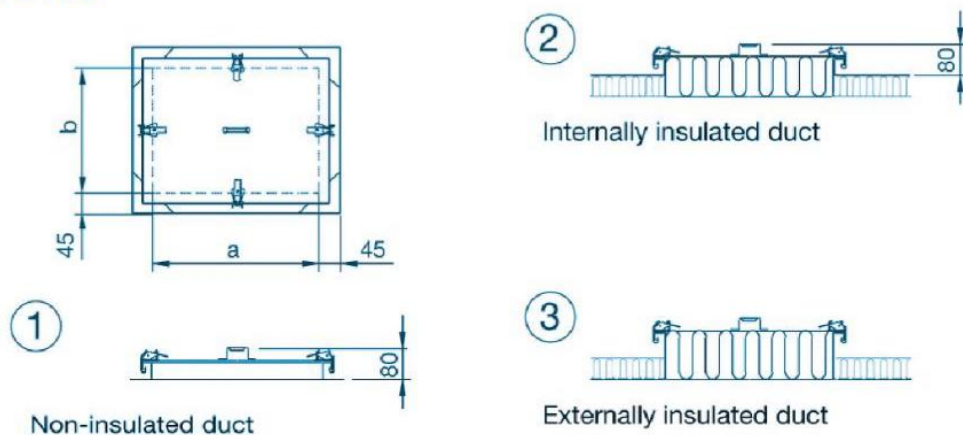
### ■ DESCRIPTION

The access door is also used as an inspection hatch for rectangular ducts. To the access door belongs a fixing frame, which is attached to the rectangular duct.

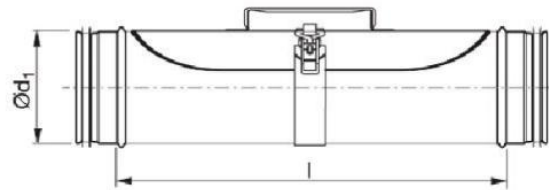
This is normally done with blind rivets through the folded-down edge of the door frame. It can also be provided with folding tabs on request.

It is easy to remove the access door from the fixing frame by using over-centre catches. In the insulated versions, the inner side will always be in level with the innermost boundary line of the duct, irrespective of whether the duct is insulated internally or externally. The table below shows the insulation thickness of the door a different duct insulation alternatives.

### ■ DIMENSIONS



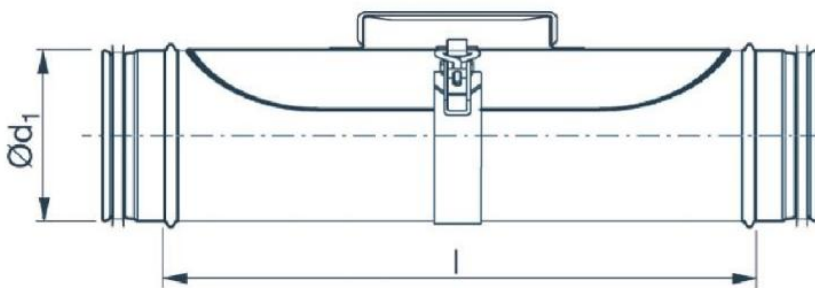
- **ROUND ACCESS DOOR**



- **DESCRIPTION**

The door is held in place by a tension strap with adjustable eccentric lock. This offers a quick and simple opening and closing. A built-in handle also aids handling.

- **DIMENSIONS**



$\varnothing d_1$ nom	l mm
100	480
125	480
160	480
200	480
250	480
315	480
400	480